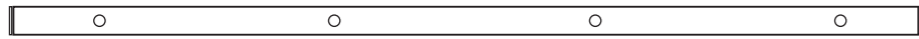
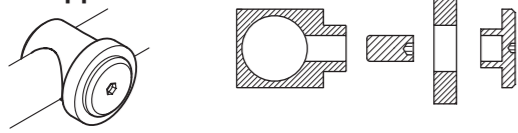


**1** Set sliding door fittings Antra II

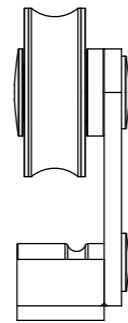
**2** Guide rail



**3** Door stoppers

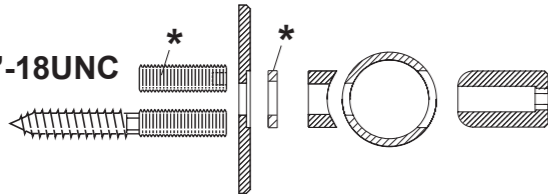


**4** Trolley complete (without screws, at construction site)



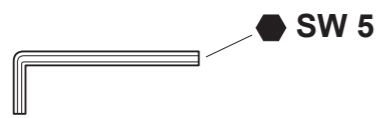
**5** Wall fixtures

5/16"-18UNC



(without screws and dowels, at construction site)  
\* not included in scope of delivery

**6** Special tool



**7** Bottom guide



(without screws and dowels, at construction site)



Comply with all general safety regulations when installing the sliding door fittings!

Installation to be completed by qualified licensed contractor.

Be sure to tighten all screw connections one week after starting to use the sliding door fittings!

Never use scouring agents to clean the sliding door fittings; rather use commercially available stainless-steel cleaners!



Attention



Screw on



Screw on



Loosen/Tighten



Install



At right angle



Drill



Dowels



Adjust Set



Level



Perpendicular



Measure Mark



Visual inspection



Special-tool



2 people required



Measure



Clarify questions



See Instructions

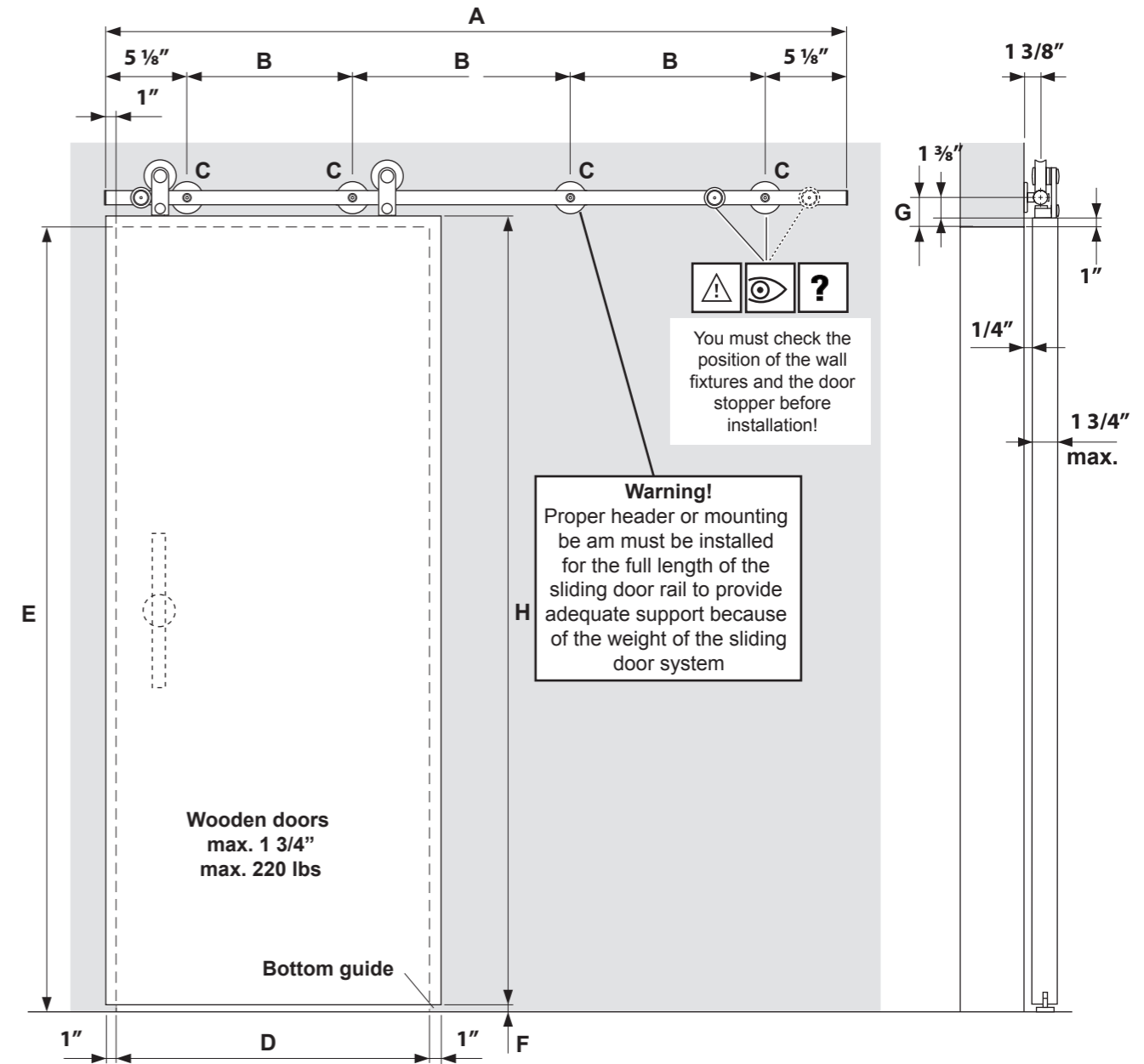


Secure

# Installation instructions

## Sliding door fittings Antra II

for wooden doors ( max. 1 -3/4" inch)



**Complete-set's**

Set Antra II Art.-No.	A Inch	B Inch	C Each	D Inch	E max. Inch	F Inch	G Inch	H max. Inch (H=E - F + 1")
USU56-1800DB	70 7/8"	20 1/4"	4	29 1/2" - 35 7/16"	98 7/16"	1/4" - 3/8"	2 3/8"	99 1/8"
USU56-2100DB	82 1 1/16"	24 1/8"	4	35 13/16" - 39 3/8"	98 7/16"	1/4" - 3/8"	2 3/8"	99 1/8"
USU56-2300DB	90 9/16"	20 1/16"	5	39 3/4" - 44 1/16"	98 7/16"	1/4" - 3/8"	2 3/8"	99 1/8"
USU56-2540DB	100"	22 7/16"	5	44 1/2" - 49 3/16"	98 7/16"	1/4" - 3/8"	2 3/8"	99 1/8"

Right to make technical changes reserved - Dimensions in inch - Version 04.2016  
© by ABP-Beyerle GmbH



Beyerle US L.L.C.

5126 South Royal Atlanta Drive, Tucker, GA 30084, USA

Phone (770) 349 - 6324, Fax (770) 934 - 3384, mail: info@beyerle-us.com, www.beyerle-us.com

65 30 00.0198\_Antra II\_wood\_US

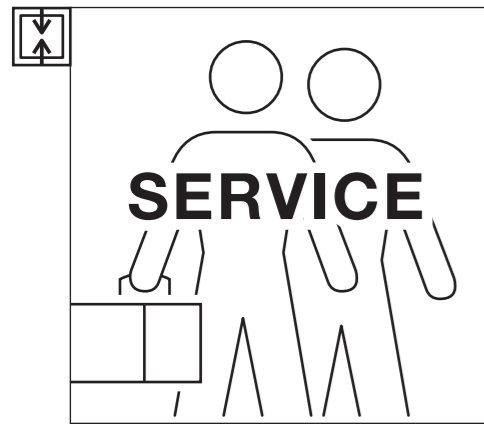


Abb. 1

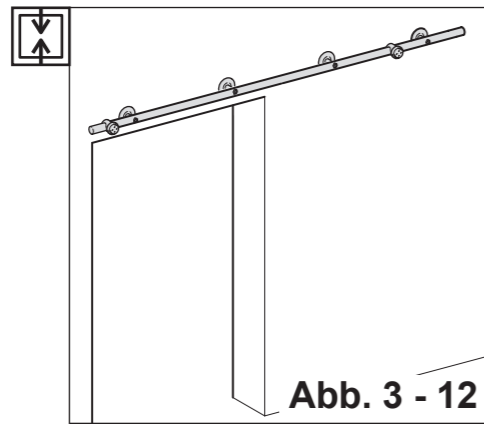


Abb. 3 - 12

Abb. 2

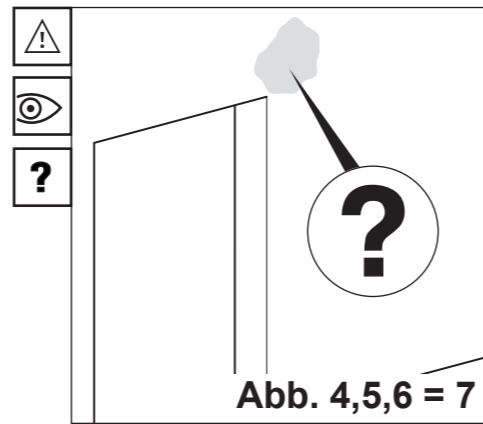


Abb. 4,5,6 = 7

Abb. 3

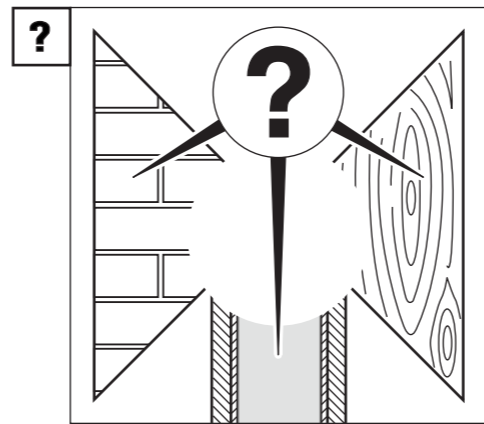


Abb. 4

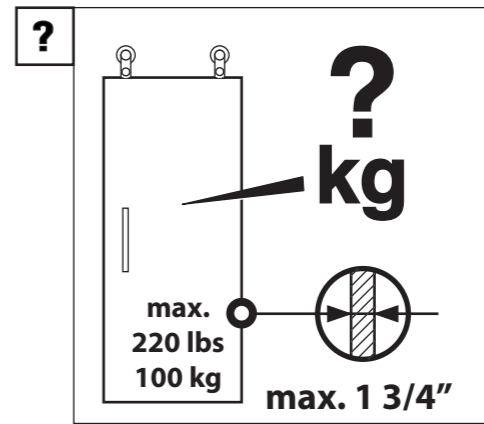


Abb. 5

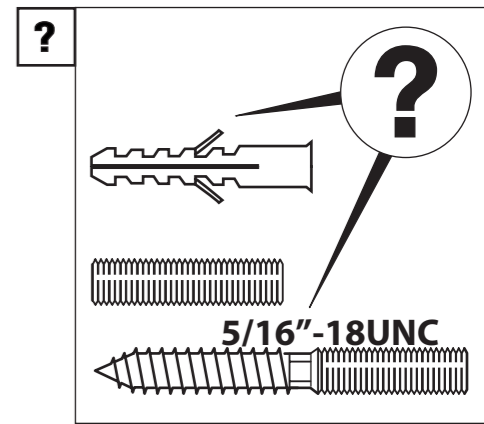


Abb. 6

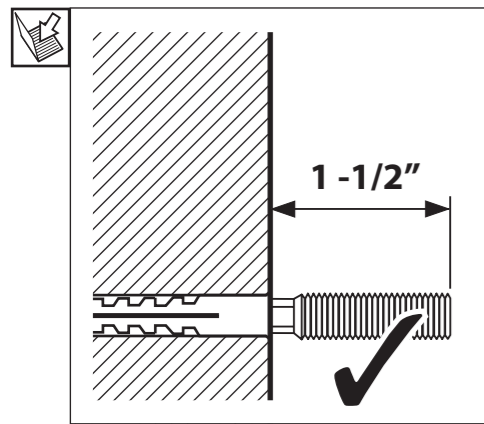


Abb. 7

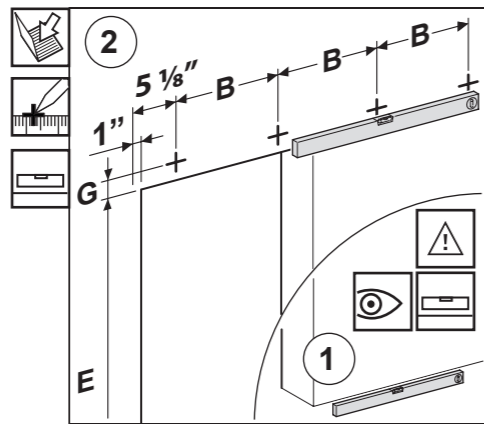


Abb. 8

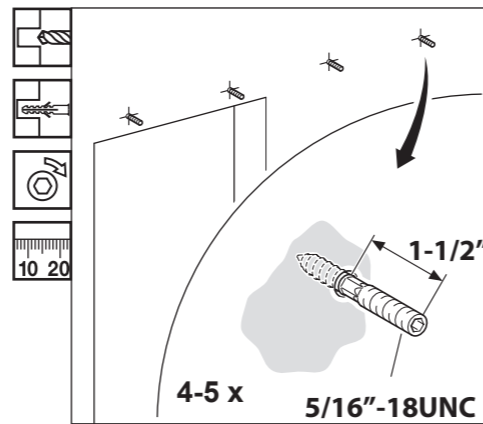


Abb. 9

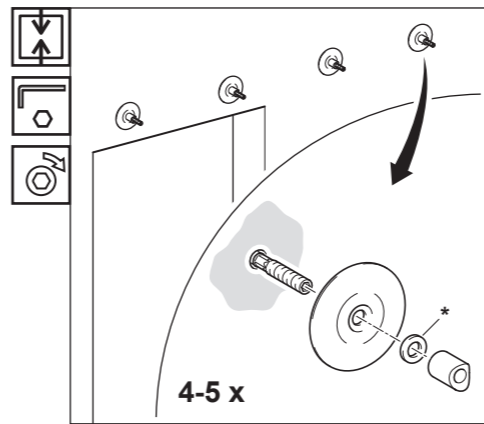


Abb. 10

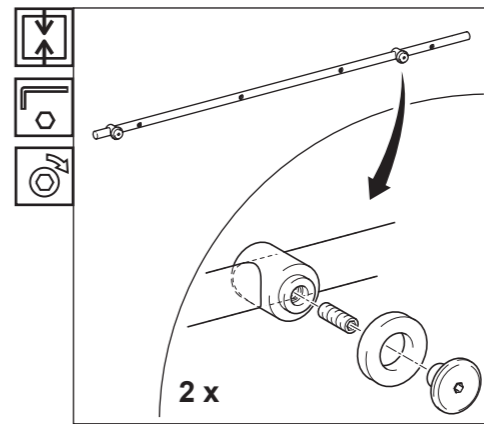


Abb. 11

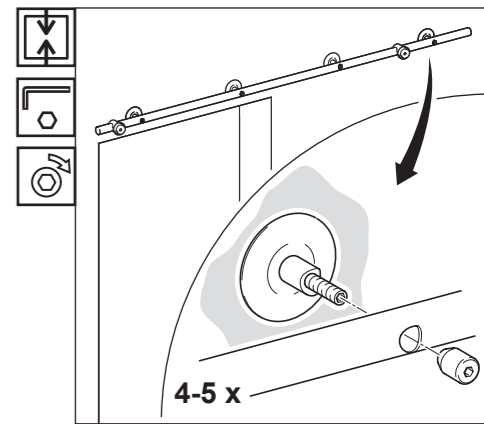


Abb. 12

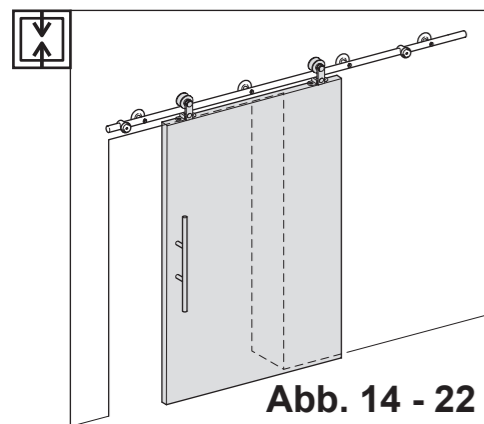


Abb. 13

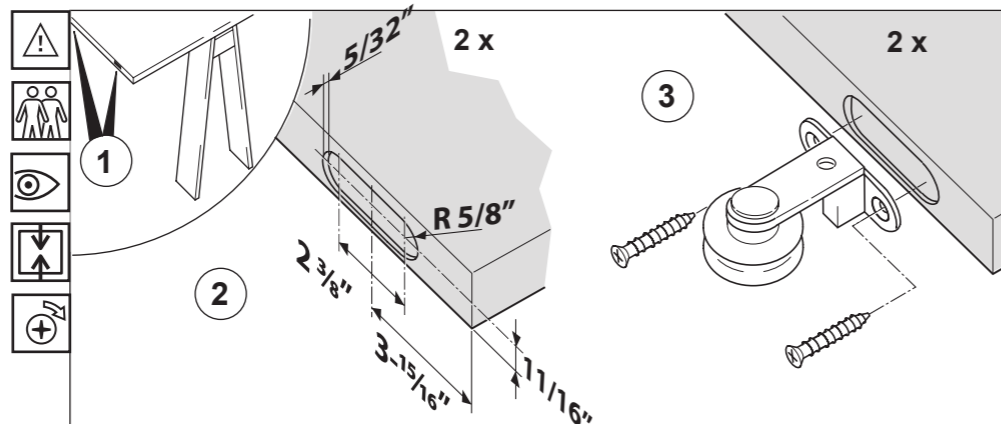


Abb. 14

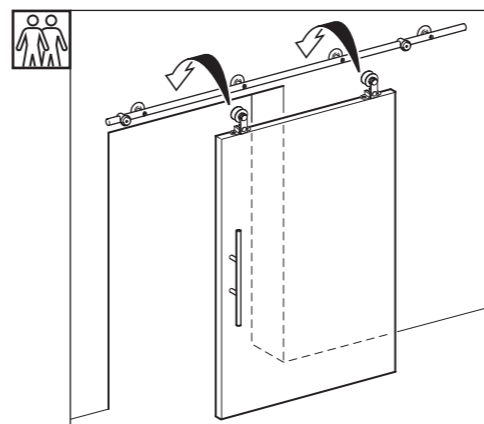


Abb. 15

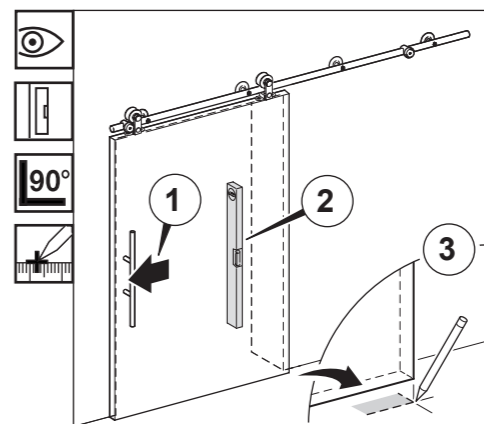


Abb. 16

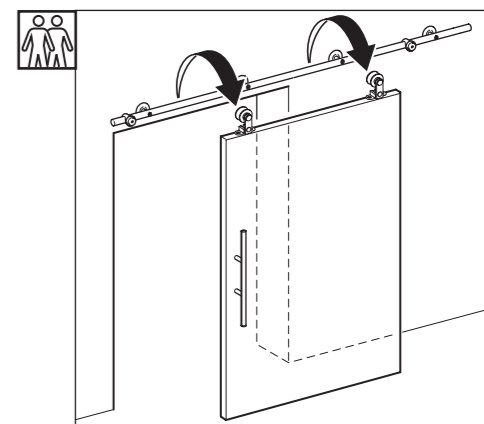


Abb. 17

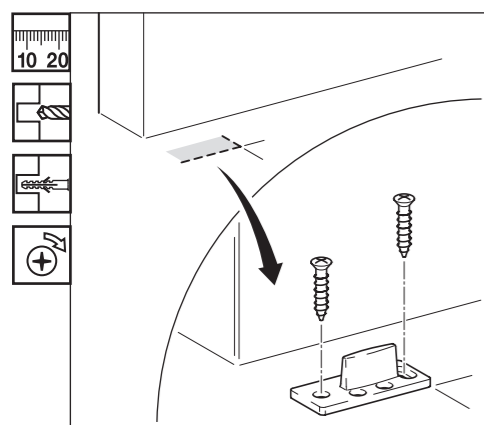


Abb. 18

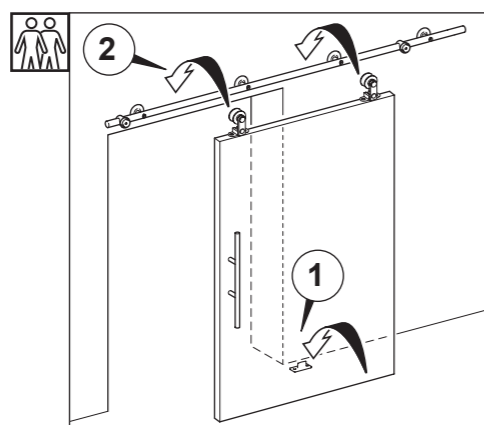


Abb. 19

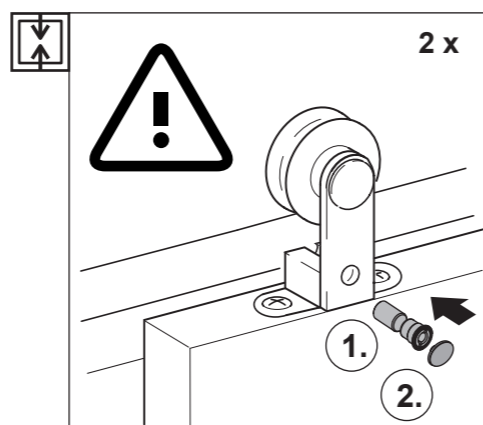


Abb. 20

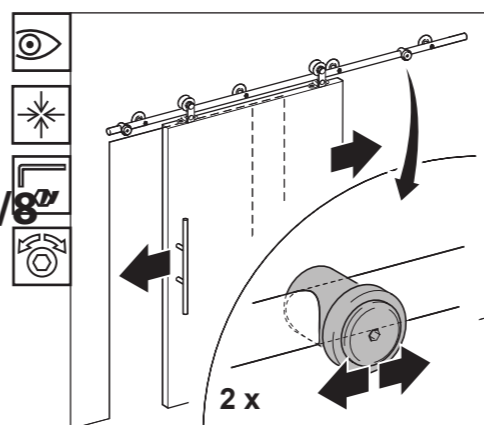


Abb. 21

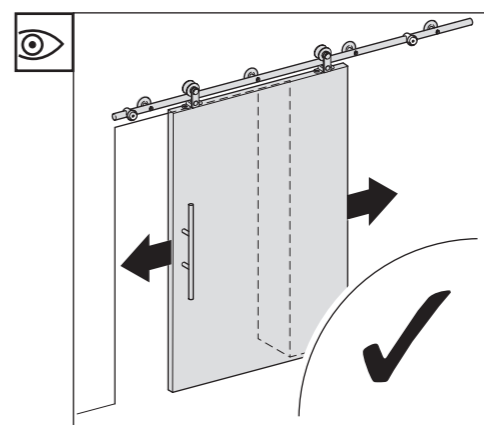


Abb. 22